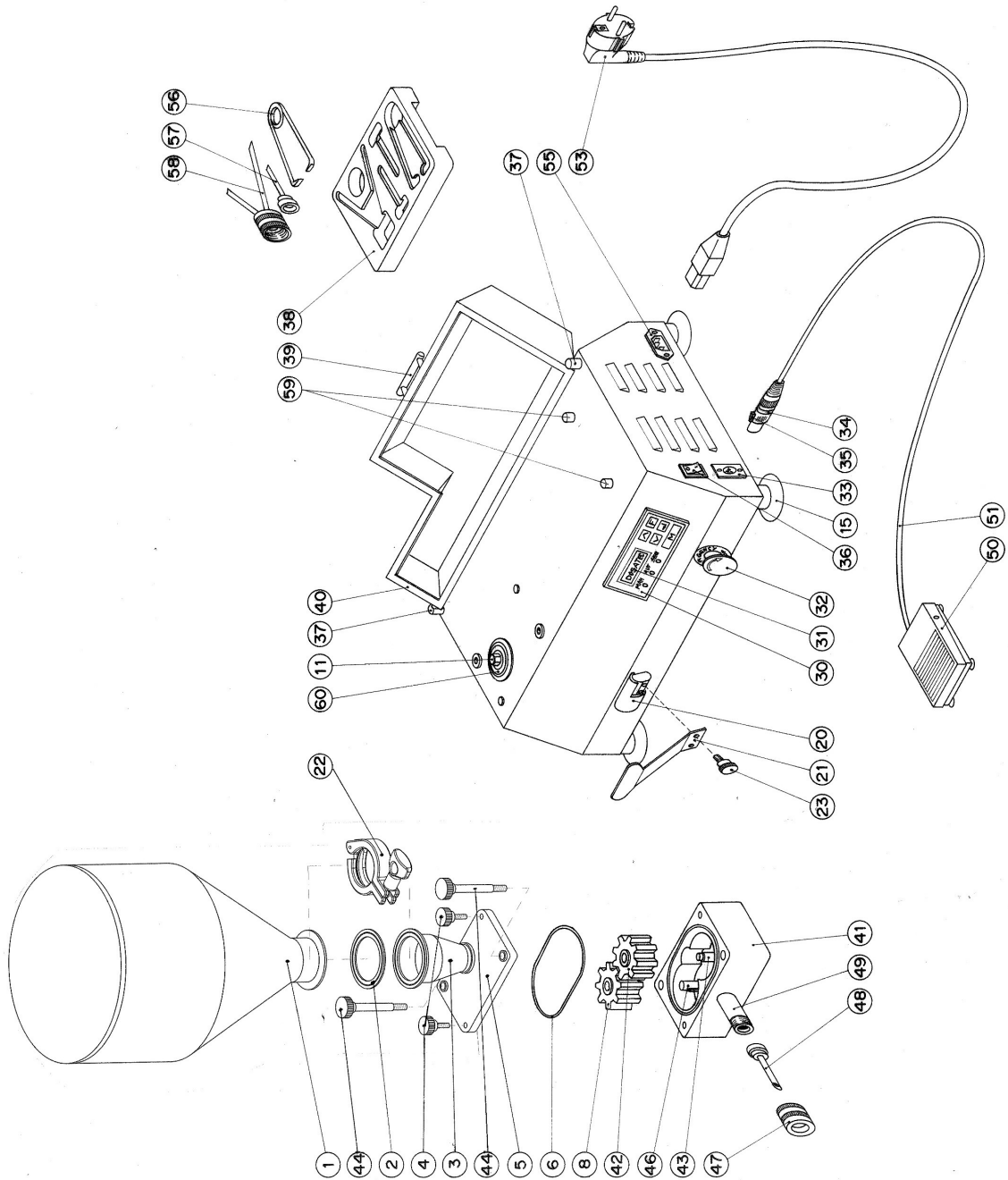


## Spare parts reference numbers of machine

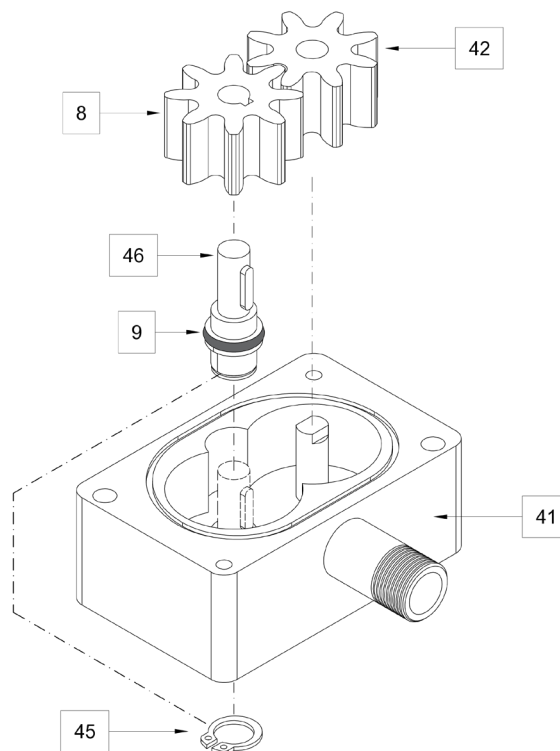
- |  |                           |
|--|---------------------------|
| 1 - Funnel                               | 41 - Head                 |
| 2 - Funnel's gasket                      | 42 - Idler gear           |
| 3 - Collar                               | 43 - Idler pivot          |
| 4 - Handwheel of the head's cover        | 44 - Head handwheel       |
| 5 - Head's cover                         | 45 - Seeger-ring          |
| 6 - Head's gasket                        | 46 - Towing pivot         |
| 7 - Pin                                  | 47 - Knurled screw        |
| 8 - Towing gear                          | 48 - Big spout            |
| 9 - Towing axis gasket                   | 49 - Exit connection      |
| 10 - Bronze bearing                      | 50 - Pedal-board          |
| 11 - Reducer axis                        | 51 - Pedal-board cable    |
| 12 - Micro head security                 | 52                        |
| 13 - Reducer                             | 53 - Power cable          |
| 14 - Spacer                              | 54                        |
| 15 - Foot's pivot                        | 55 - Power cable socket   |
| 16 - Rubber foot                         | 56 - Gears remover pliers |
| 17 - Lock ring nut                       | 57 - Small spout          |
| 18 - Lower crankcase                     | 58 - Double spout         |
| 19 - Reducer plate                       | 59 - Tray pivots          |
| 20 - Activation block                    | 60 - Seal 25x37x7         |
| 21 - Activation lever                    |                           |
| 22 - Clamp                               |                           |
| 23 - Handwheel                           |                           |
| 24 - Activation micro                    |                           |
| 25 - Electronic apparatus                |                           |
| 26 - Fan grid                            |                           |
| 27 - Fan                                 |                           |
| 28 - Engine                              |                           |
| 29 - Inverter                            |                           |
| 30 - Command module                      |                           |
| 31 - Display                             |                           |
| 32 - Mushroom emergency stop push button |                           |
| 33 - Pedal-board/Syringe socket          |                           |
| 34 - Pedal-board/Syringe plug            |                           |
| 35 - Unlock button                       |                           |
| 36 - Main switch                         |                           |
| 37 - Power switch                        |                           |
| 38 - Accessories tray                    |                           |
| 39 - Handle                              |                           |
| 40 - Lid                                 |                           |



## Exploded View of Machine



## Replacement of O-ring of gear pin



Remove the gear (8 – 42) from the dosing head (41), then using a pliers to remove from its seat the seeger ring (45) located under the dosing head.

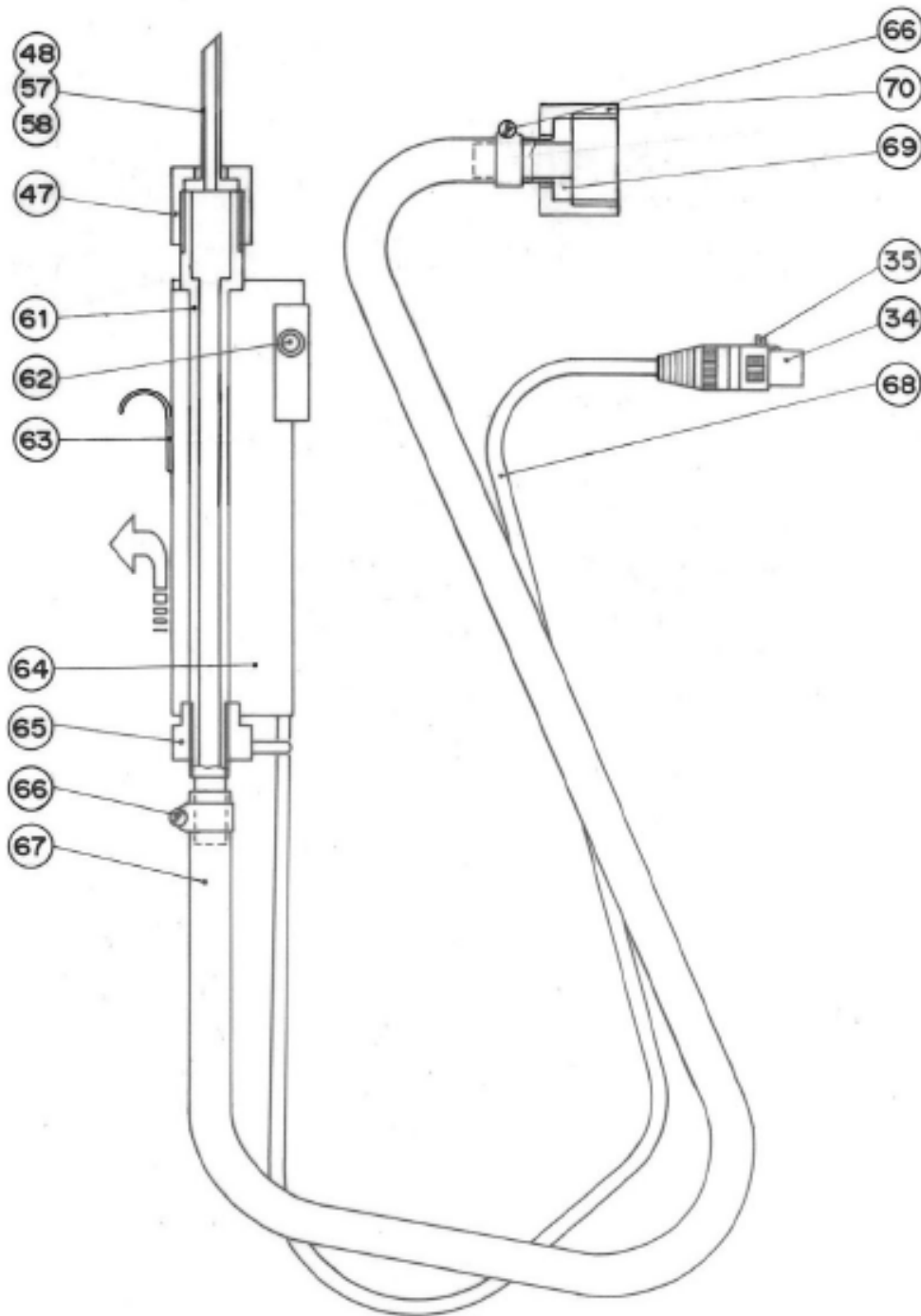
Press the gear towing pin (46) upwards until it is removed from its seat, replacing the O-ring seal 3081 (9).

To re-assemble, reposition the gear pin (46) in its seat, then put the seeger ring (45) back into place.

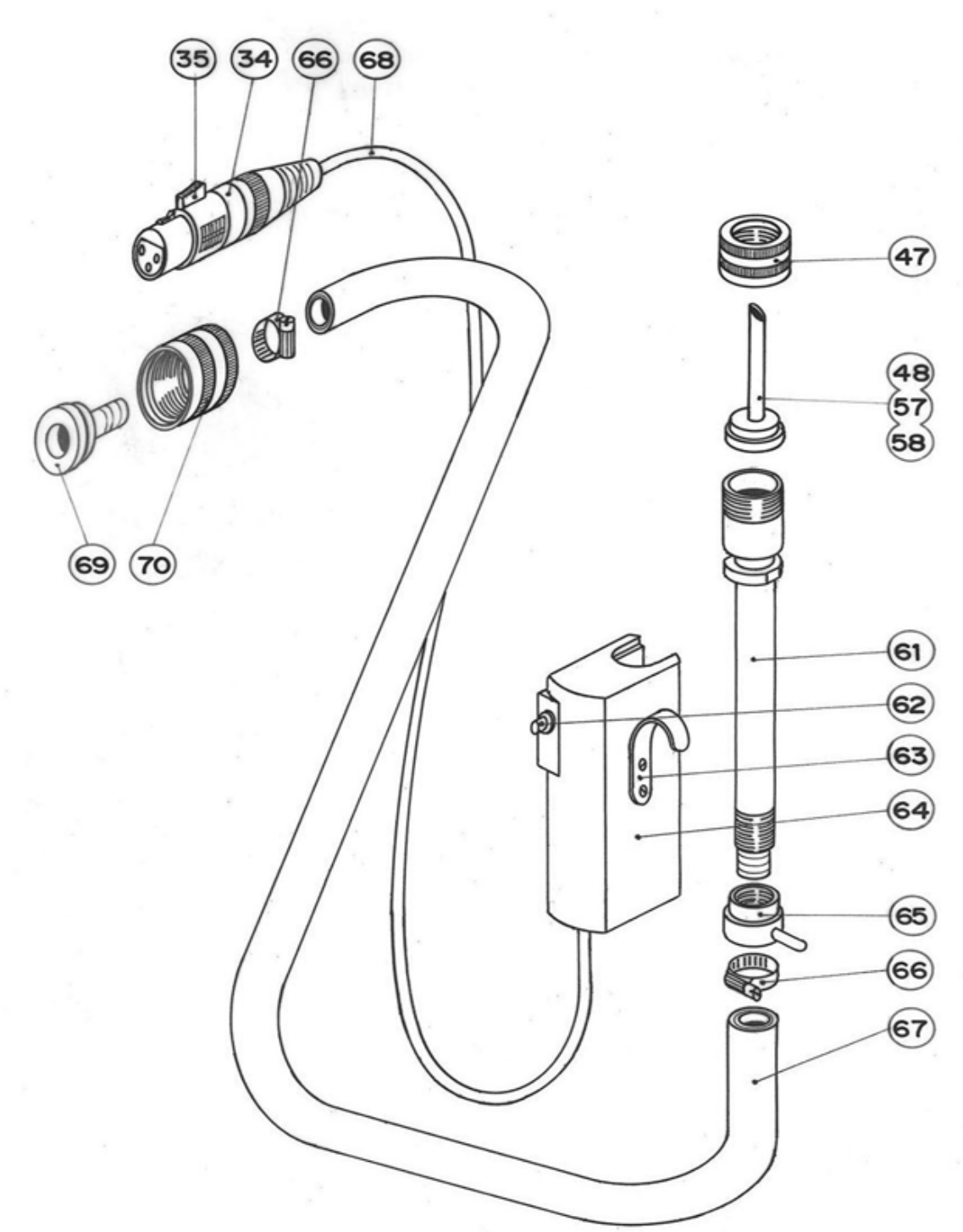
## Spare parts reference numbers of syringe

- 34 – Plug
- 35 – Unlock button
- 48 – Big spout
- 57 – Small spout
- 58 – Double spout
- 61 – Syringe body
- 62 – Stat button
- 63 – Hook
- 64 – Handle
- 65 – Lower knurled screw
- 66 – Hose clamp
- 67 – Product pipe
- 68 – Electrical cable
- 69 – Connection
- 70 – Knurled screw

## Functional Diagram of Syringe



### Exploded View of Syringe



## Spare parts reference numbers of lobes head

- 4 – Hanwheel of head cover
- 84 – Lobes head fixing pin
- 85 – Lobe
- 86 – Driven axis
- 87 – Drive axis
- 88 – O-ring 3081 Viton
- 89 – O-ring 3450
- 90 – Upper lobes head
- 91 – Drive gear wheel
- 92 – Driven gear wheel
- 93 – O ring 3375
- 94 – Seal
- 95 – Lower part of the lobes head
- 96 – Cover lobes head



## Exploded view of lobes head

